

## DOWNLIGHTS

# ROBUS®

### ZAK 50W GU10, MAINS VOLTAGE, DIE CAST ALUMINIUM DOWNLIGHT



Straight

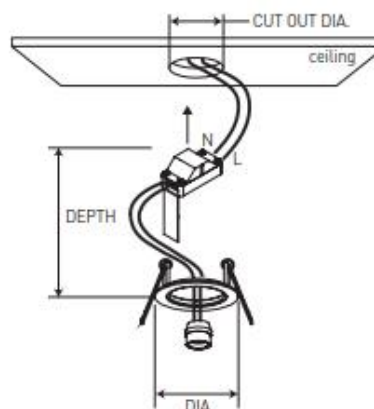
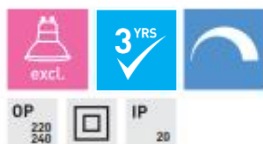


Directional

#### ZAK 50W GU10, mains voltage die cast aluminium downlight

- Die cast aluminium straight or directional downlight
- C/w bracket, terminal block & double insulated GU10 lamp holder
- Twist & lock front bezel
- Easy lamp replacement
- R208SC has a directional tilt of 20°

	Straight	Directional
White	<b>R201SCN-01</b>	<b>R208SCN-01</b>
Chrome	<b>R201SCN-03</b>	<b>R208SCN-03</b>
Brushed Chrome	<b>R201SCN-13</b>	<b>R208SCN-13</b>
<b>Total Power (W):</b>	50	50
<b>IP:</b>	20	20
<b>Cap Type:</b>	GU10	GU10
<b>Diameter (mm):</b>	78	93
<b>Depth (mm):</b>	100	100
<b>Cut-out (mm):</b>	70	82
<b>Box Qty:</b>	10	10
<b>Weight (kg):</b>	0.16	0.17



PLEASE NOTE: INFORMATION IN THIS DOCUMENT MAY BE SUBJECT TO CHANGE WITHOUT PRIOR NOTICE

IRE: TEL: +353 1 709 9000  
AUS: TEL: +61 7 3890 5444

WEB: WWW.ROBUS.COM  
WEB: WWW.ROBUS.COM.AU

LED GROUP EUROPE · AUSTRALIA · ASIA · MIDDLE EAST · AFRICA